



# FALL SHIELD™

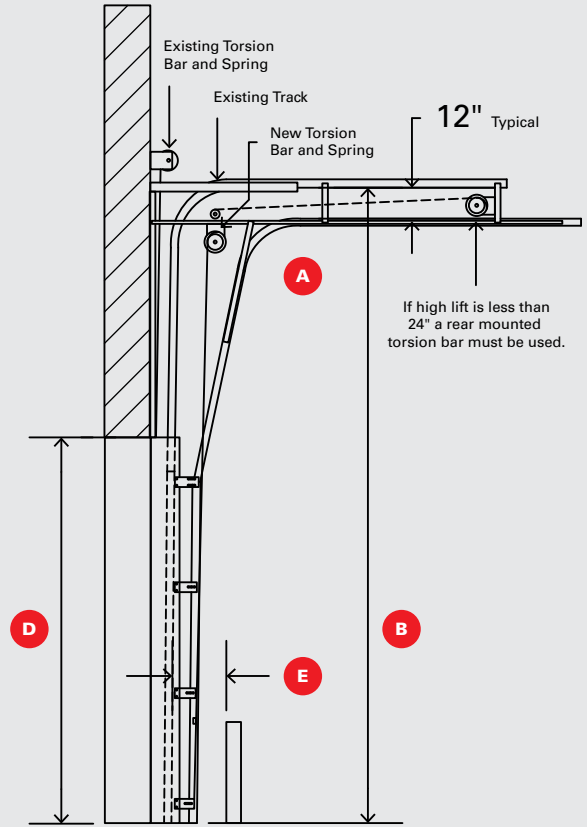
HIGH LIFT  
DUAL TRACK

COMPANY		PREPARED BY	
EMAIL		PHONE NUMBER	
ADDRESS			
CITY		STATE	ZIP
PURCHASE ORDER NUMBER		DATE REQUIRED	QTY
TAG			
SPECIAL INSTRUCTIONS (Please note if this is for a quote)			

- A** Is there any interference for new track?  Yes  No
- B** Floor to Existing Horizontal Track: \_\_\_\_\_ ft \_\_\_\_\_ in
- C** Opening Width: \_\_\_\_\_ ft \_\_\_\_\_ in
- D** Opening Height: \_\_\_\_\_ ft \_\_\_\_\_ in
- E** Distance From Existing Track to Bollard: \_\_\_\_\_ in
- F** Outside to Outside of Existing Track: \_\_\_\_\_ ft \_\_\_\_\_ in
- G** Existing Door Width: \_\_\_\_\_ ft \_\_\_\_\_ in
- H** Existing Door Height: \_\_\_\_\_ ft \_\_\_\_\_ in
- I** Existing lower track is in good condition:  Yes  No
- J** Existing Track Width:  2 in  3 in
- K** Rasco door to be motorized:  Yes  No
- L** Required Fall Shield Height: \_\_\_\_\_ ft  
(Minimum 4 ft)
- M** Panel Finish, Select One:
  - Powder Coat Yellow
  - Mill Finish
  - Custom Color \_\_\_\_\_
- N** Rasco Door Track Size:  2 in  3 in  
(2" is recommended as it has a 32" radius to accommodate the unusually tall sections.)

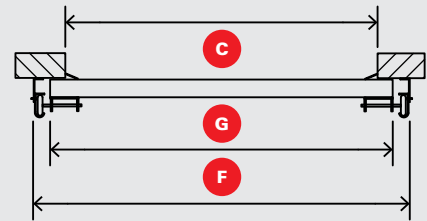
✉ EMAIL SURVEY FORM TO RASCO

## DOOR SIDE VIEW

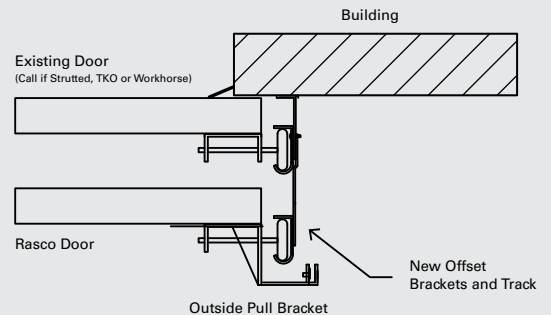


**NOTES:** A torsion bar support is required on all doors 10' or wider.  
Dual track cannot be used if existing door has outside pull cables.

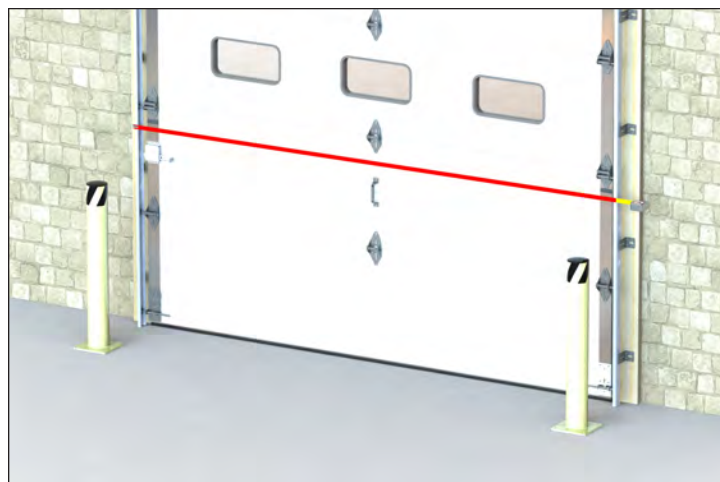
## DOORTOP ABOVE



## TRACK TOP DETAIL



# Measuring Guide

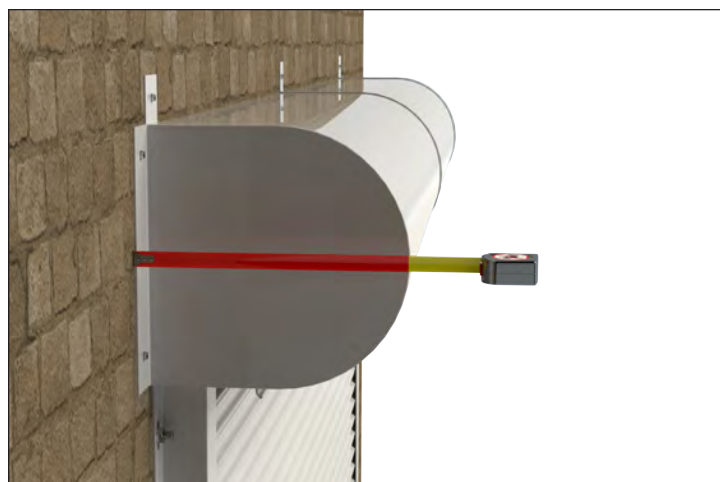


**1** **Track to bollard**  
To make sure you have clearance for your Rasco door.

**2** **Outside to outside of existing track**  
To ensure a proper fit with your door.



**3** **Distance from wall to furthest part of existing track at top of the opening**  
To ensure a proper seal on the sides, many tracks are farther away from wall at top of opening.



**4** **Wall to outside edge of roll or distance to back of roll**  
To ensure a tight seal on the sides.