



# THE BUG BLOCKER® SCREEN

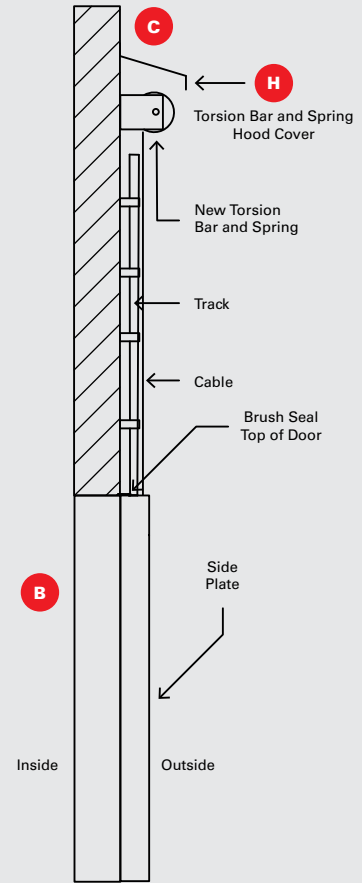
VERTICAL LIFT  
EXTERIOR MOUNT

COMPANY		PREPARED BY	
EMAIL		PHONE NUMBER	
ADDRESS			
CITY		STATE	ZIP
PURCHASE ORDER NUMBER		DATE REQUIRED	QTY
TAG			
SPECIAL INSTRUCTIONS (Please note if this is for a quote)			

- A** Opening Width: \_\_\_\_\_ ft \_\_\_\_\_ in
- B** Opening Height: \_\_\_\_\_ ft \_\_\_\_\_ in
- C** Is there clearance above for door?  Yes  No  
(Opening Height + Door Height + 2')
- D** Is there side to side clearance?  Yes  No  
(Opening Width + 6" with 2" Track and 7" for 3" Track)
- E** Any interference on outside of building?  Yes  No
- F** Mesh size?
  - 12 mesh stainless  30 mesh stainless
  - 16 mesh stainless  Special
- G** Is the door to be motor operated?  Yes  No
- H** Is a hood cover needed?  Yes  No
- I** Rasco Door Track Size:  2 in  3 in

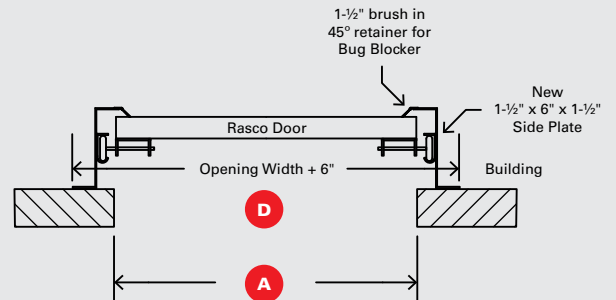
✉ EMAIL SURVEY FORM TO RASCO

## DOOR SIDE VIEW



**NOTES:** A solid shaft is required on all doors 12' or wider or motorized.

## DOOR TOP ABOVE



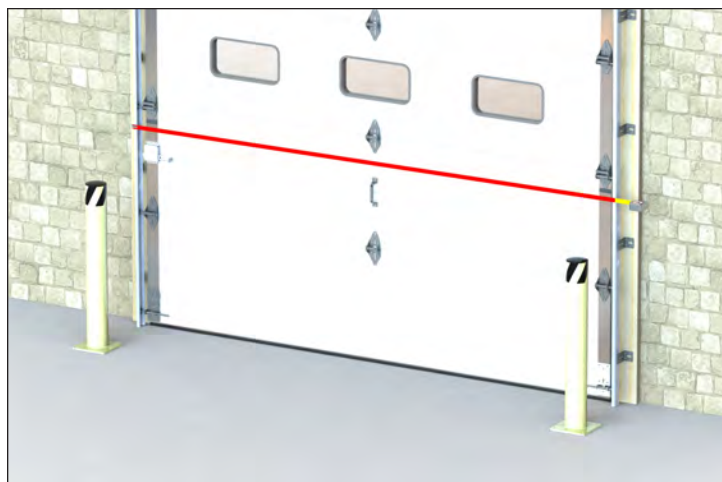
# Measuring Guide



1

## Track to bollard

To make sure you have clearance for your Rasco door.



2

## Outside to outside of existing track

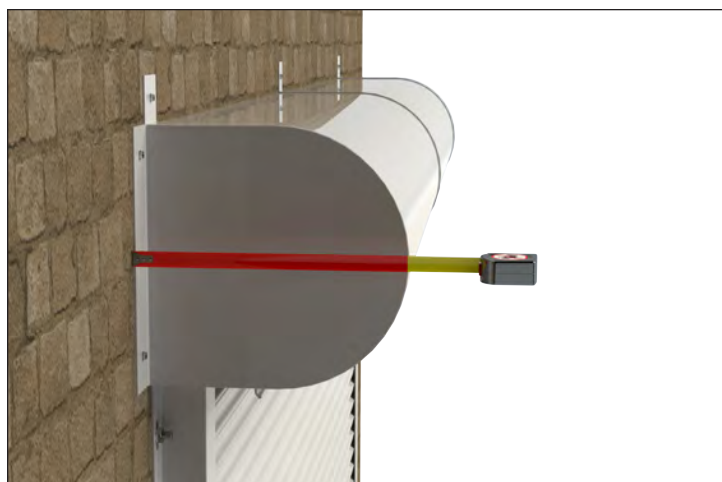
To ensure a proper fit with your door.



3

## Distance from wall to furthest part of existing track at top of the opening

To ensure a proper seal on the sides, many tracks are farther away from wall at top of opening.



4

## Wall to outside edge of roll or distance to back of roll

To ensure a tight seal on the sides.

09/30/24